

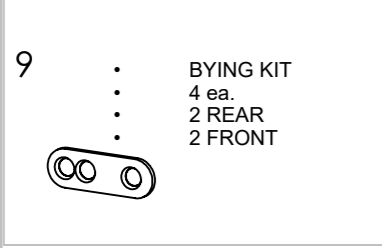
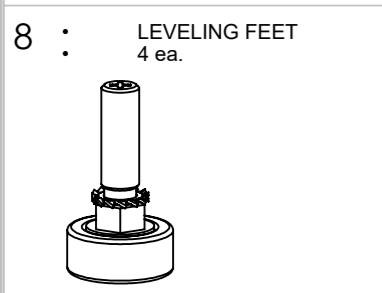
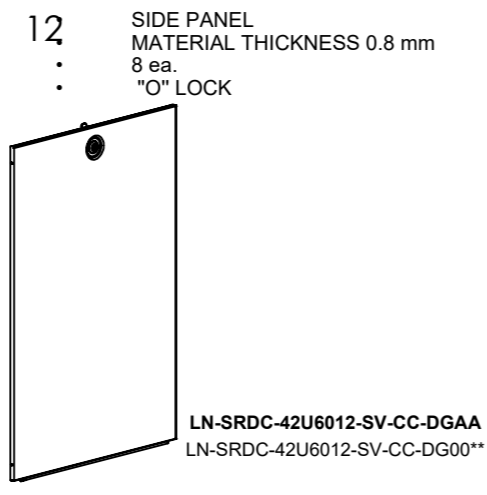
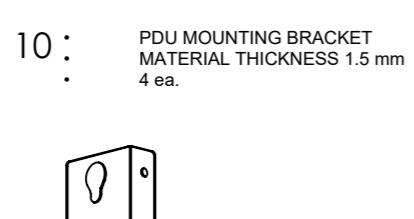
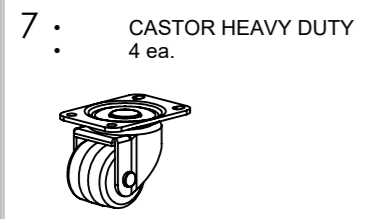
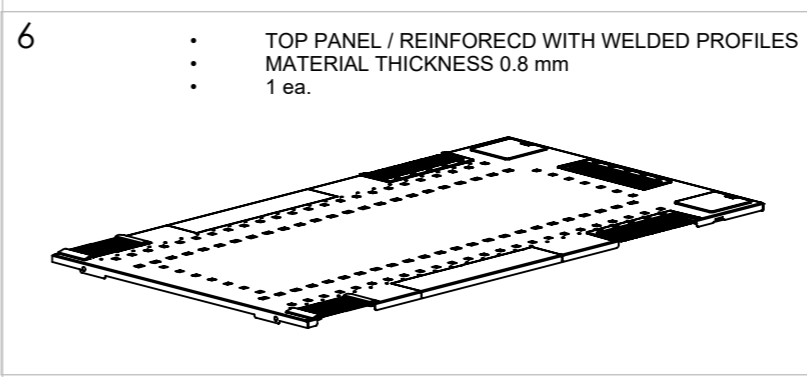
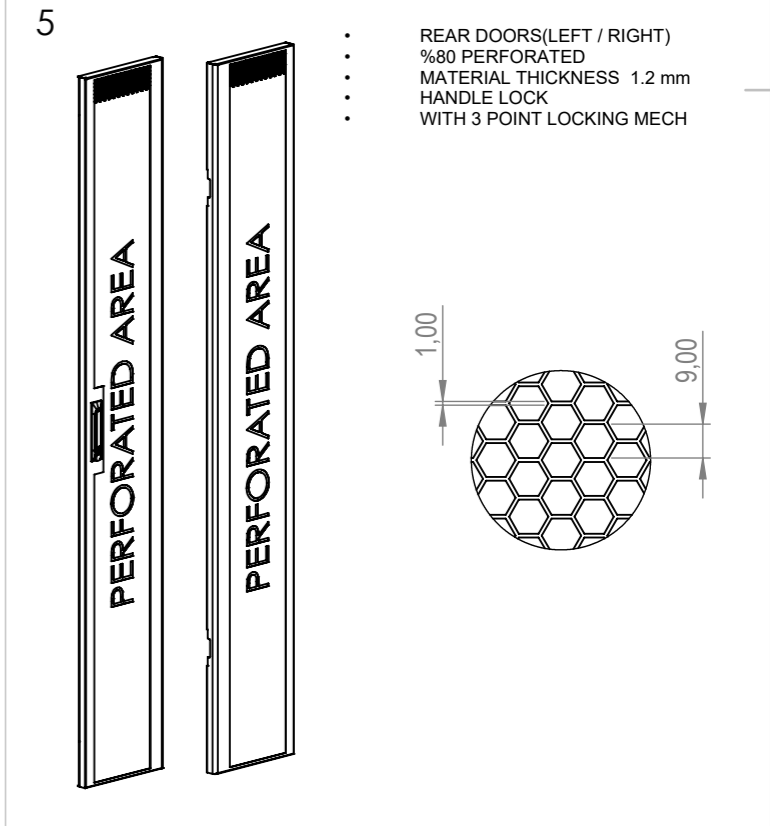
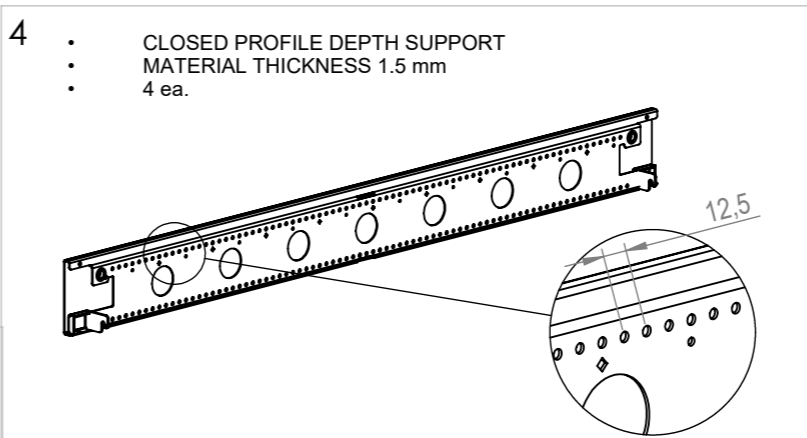
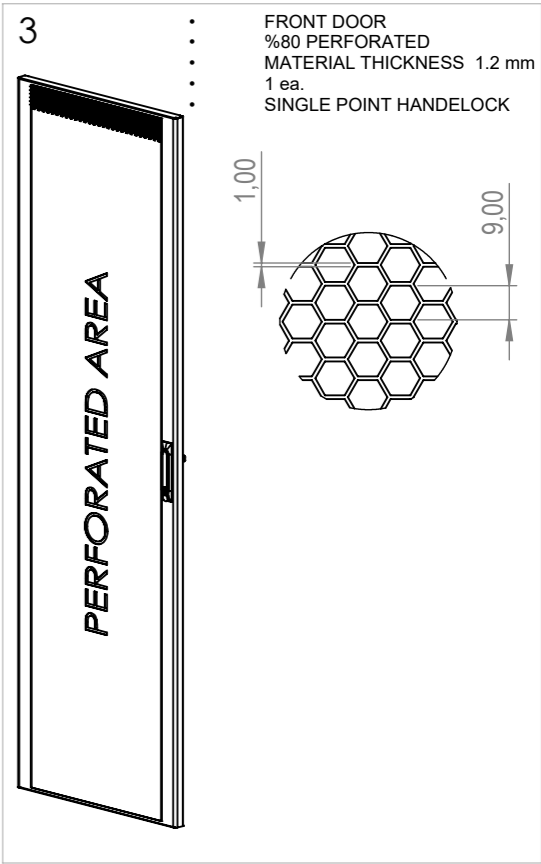
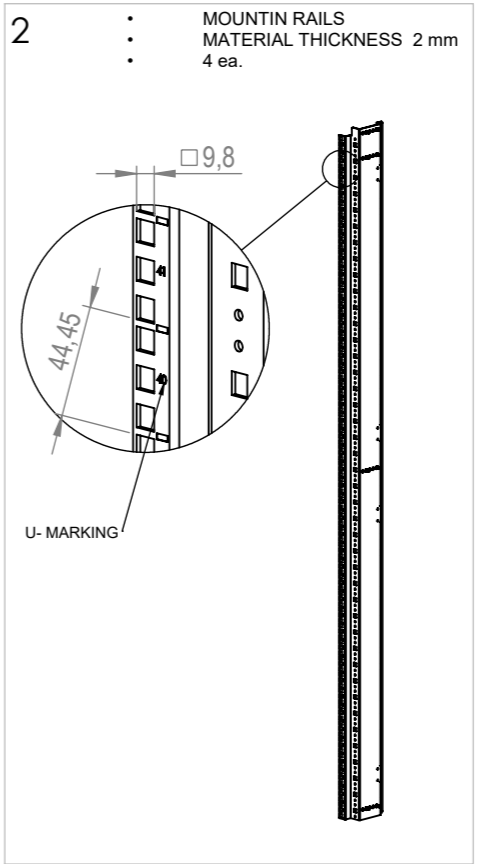
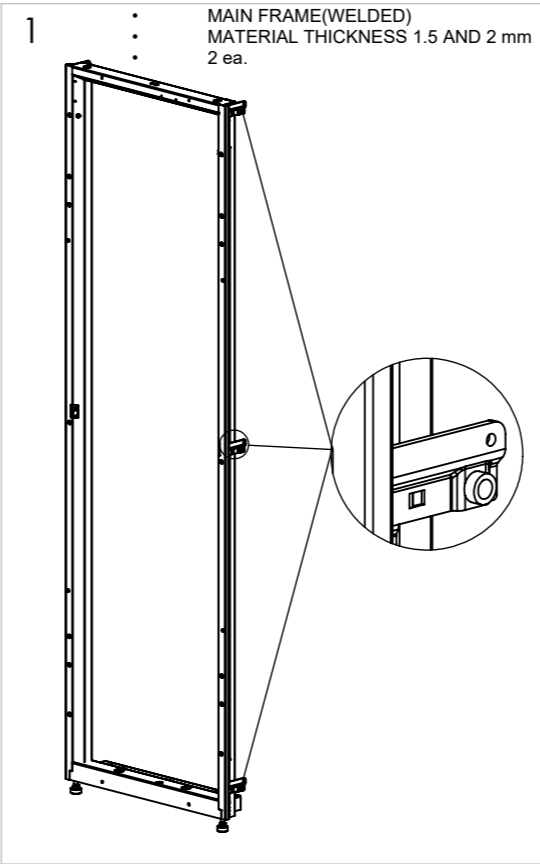
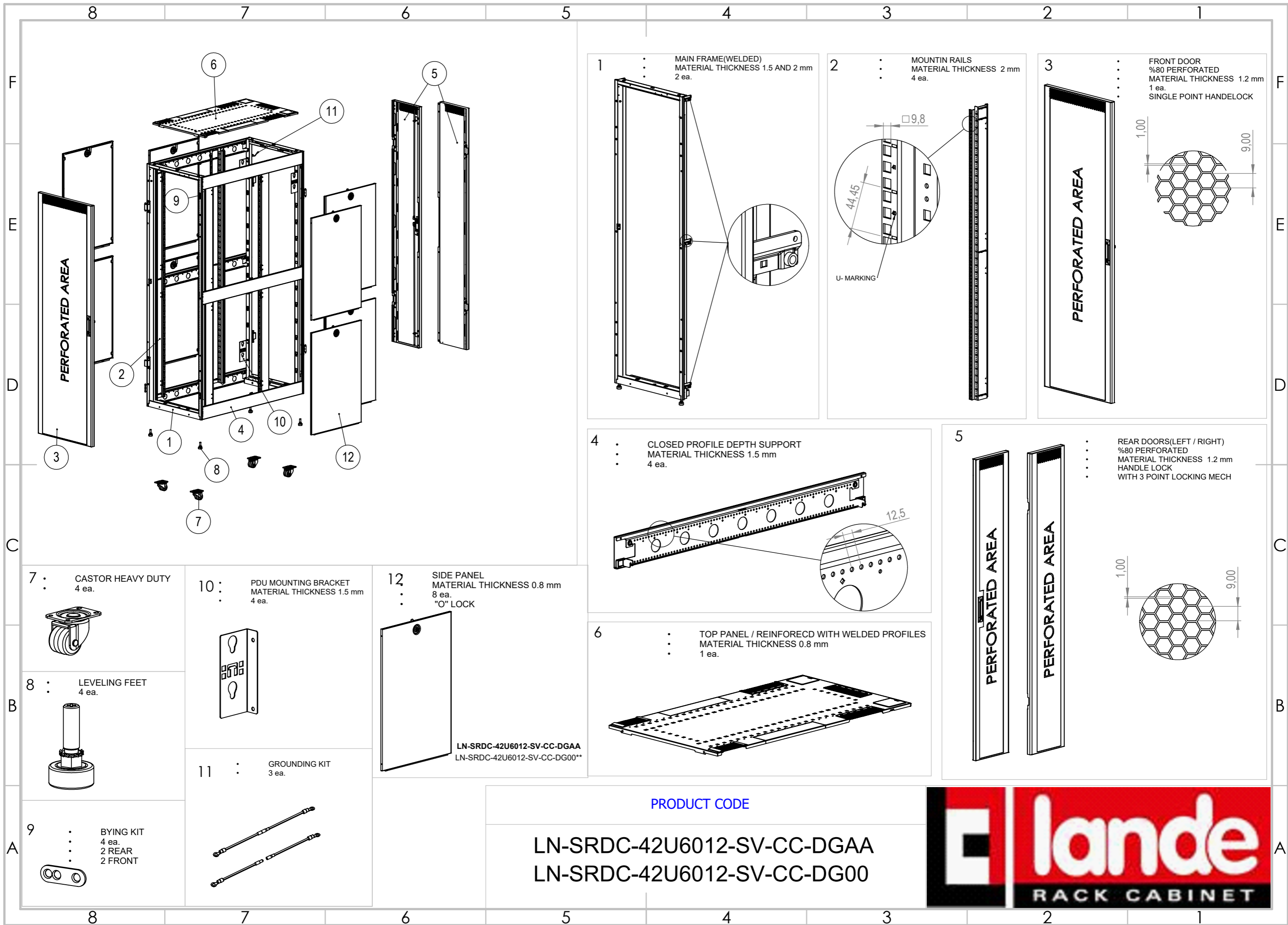
TOP VIEW  
(details)

STANDARD POSITIONS  
FOR MOUNTING RAILS AND  
THEIR ADJUSTABILITY

PRODUCT CODE

LN-SRDC-42U6012-SV-CC-DGAA  
LN-SRDC-42U6012-SV-CC-DG00





PRODUCT CODE  
LN-SRDC-42U6012-SV-CC-DGAA  
LN-SRDC-42U6012-SV-CC-DG00

