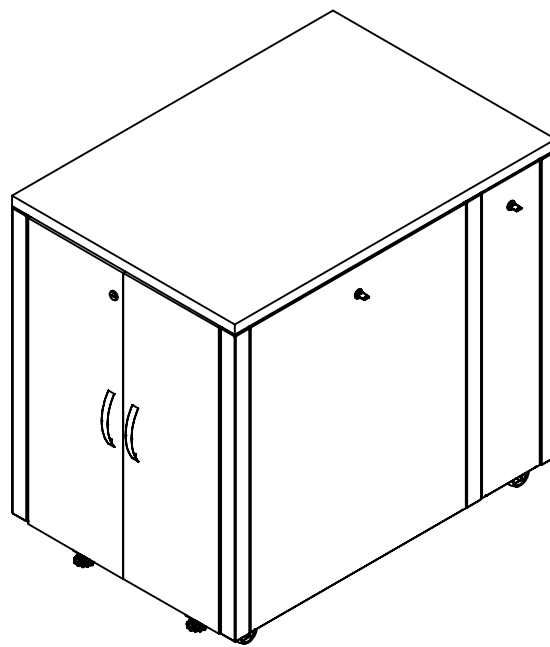
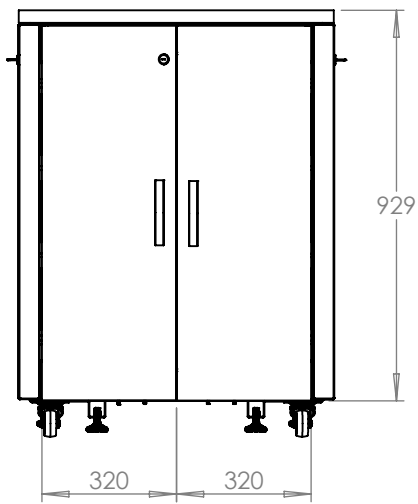


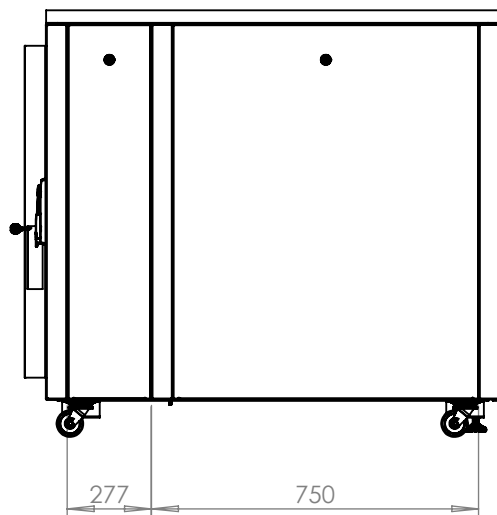
BOTTOM VIEW



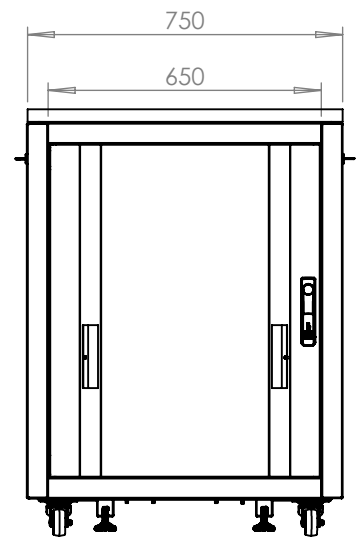
ISOMETRIC VIEW



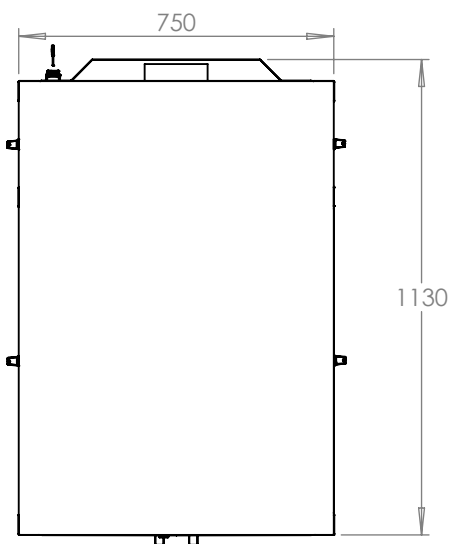
FRONT VIEW



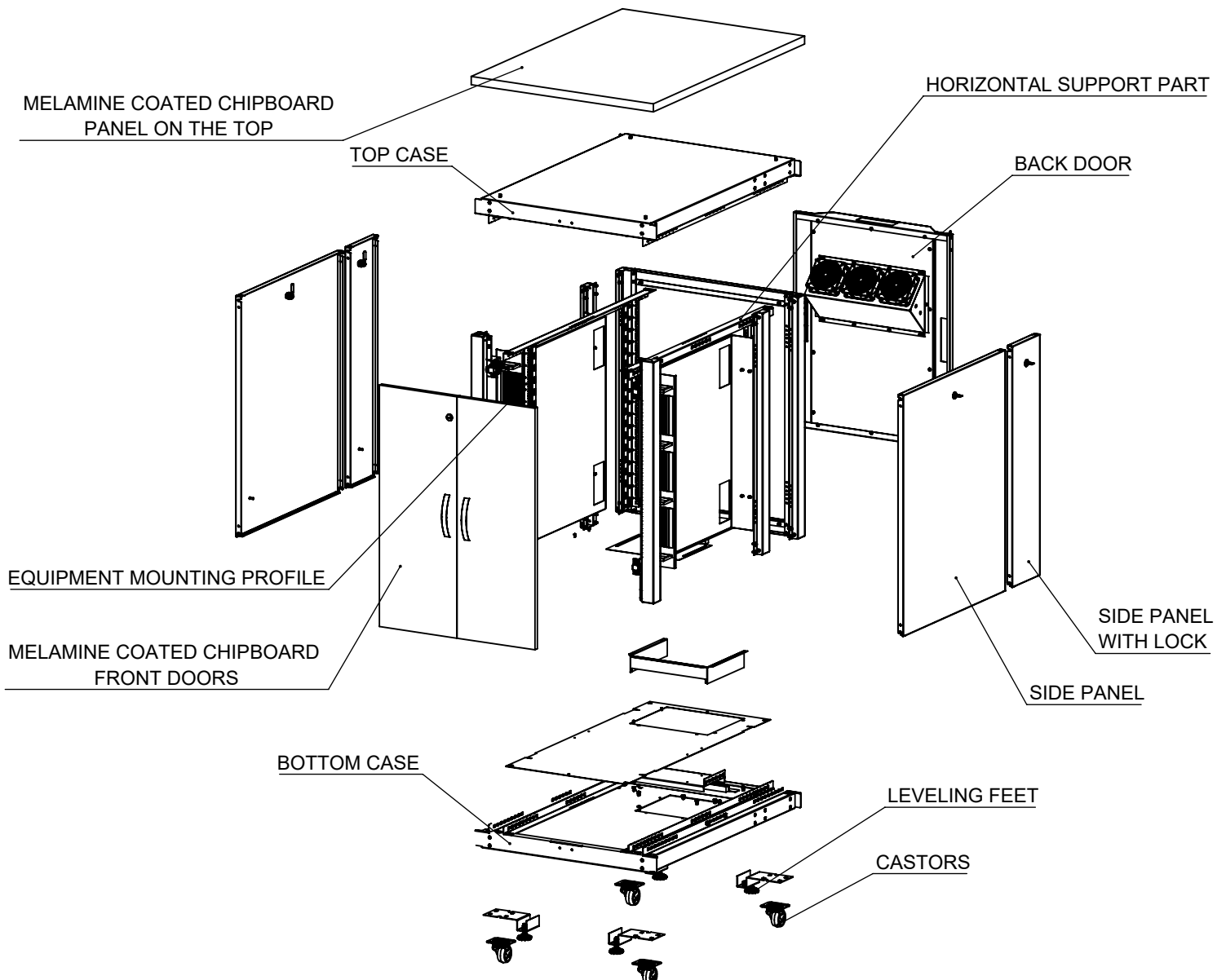
SIDE VIEW



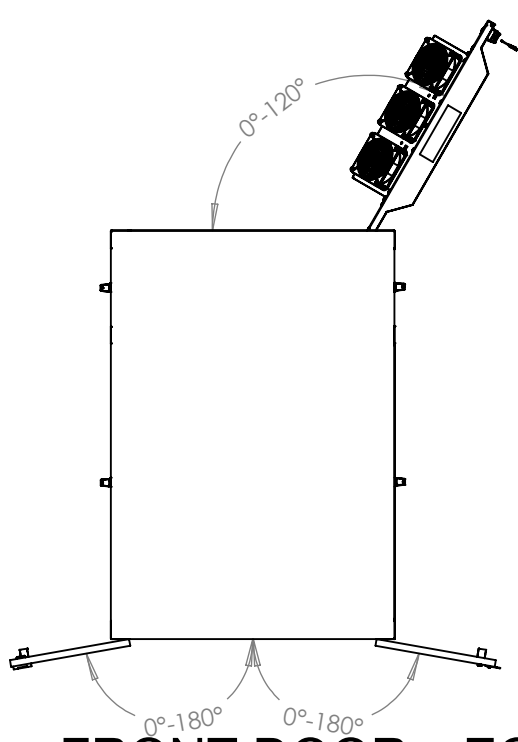
REAR VIEW



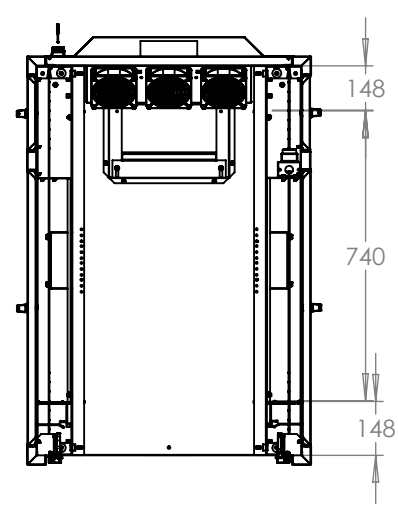
TOP VIEW



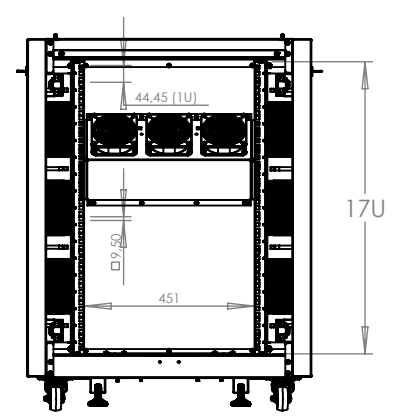
EXPLODED VIEW



**FRONT DOOR
OPENING ANGLE**

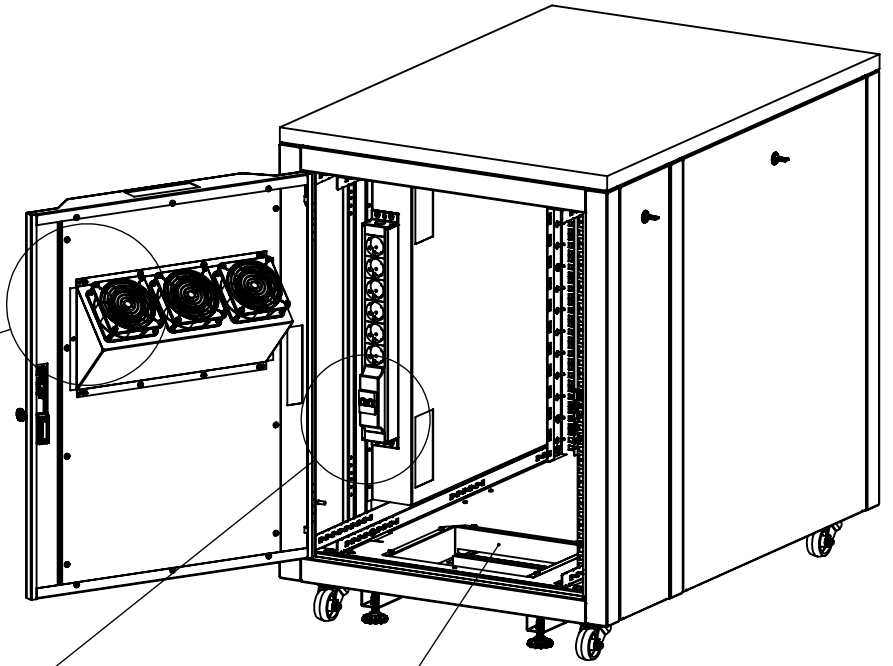
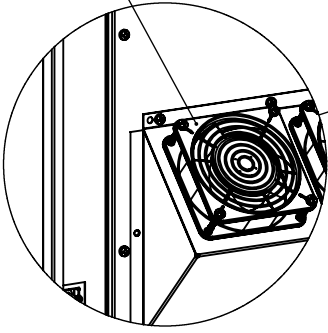


**EQUIPMENT MOUNTING
DISTANCE**

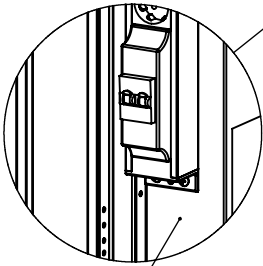


**DIMENSIONS IN
WIDTH AND HEIGHT**

FAN MODULE



SLIDING, GASKETTED
CABLE ENTRY
ON THE BOTTOM



VERTICAL PDU
ASSEMBLY

CABLE MANAGEMENT RINGS
AND
BRUSHES

