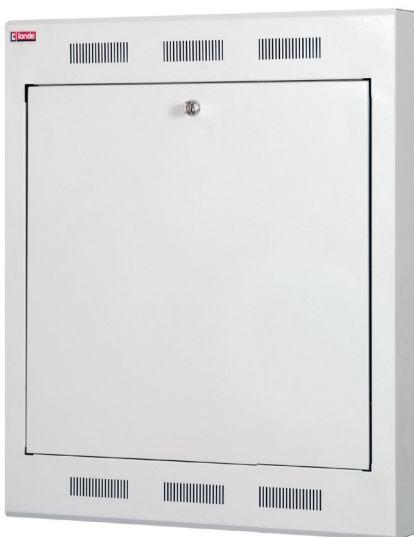


19" SLIMbox Series Flush and Surface Wall Mounting Tilt Out Racks W600 mm



19" SLIMbox Series

Flush Wall Mounting Tilt Out Racks W600 mm

Load Capacity: 100 kgs.

U Height: 2U, 4U

Standards and Compliances:



ISO 9001
Quality Management System

EN 61587-1
Mechanical Structures for
Electronic Equipment

EN IEC 60297, 19" Mounting
EN IEC 60917 Overall Cabinet
Dimensions

EN/IEC 60529 - IP20 Ingress Protection
performance

EN/IEC 62262 - IK07 Mechanical
Impact Resistance

EIA/ ECA-310 (D/E) 19" 482,6 mm
and U 44,45 mm Height Sizing



CE conform to
EN 60950-1
Information Technology
Equipment, Safety,
Part-1: General Requirement

EN IEC 62368-1 Audio/Video, Information
and Communication Technology
Equipment
Part 1: Safety requirements



UL listed to
UL 2416, Outline of Investigation for
Audio/Video, Information and
Communication Technology Equipment
Cabinet, Enclosure and Rack
Systems; UL 60950-1 and CSA C22.2
NO. 60950-1-07, Information Technology
Equipment Safety
Part 1: General Requirements



Environment Friendly;
ISO 14001 Environmental
Management System
RoHS compliancy
%100 Recyclable Material

Standard Colors:



RAL 7035 Light Grey



RAL 9005 Black



Features:

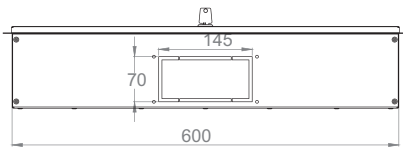
- Convenient design allows easy access to equipment controls.
- Tamper resistant design ideal for use in non-secure areas.
- Two models available: flush mount or surface mount.
- Offers 2U and 4U rack spaces versions
- Up to 20" (508 mm) usable equipment depth.
- Pre-punched knockout in body of backpan for cable pass-through: 216x216 mm micro-joint 1 pcs
- Punched knockouts in the back pan with plastic cover for cable entry: top and bottom 145x70 mm 2pcs
- Punched knockouts in the top and bottom cases with plastic cover for cable entry: on on top and one at the bottom 145x70 mm 2pcs
- Vented front for cooling with passive thermal management
- Abundant cable tie points included for cable management
- Available in a durable texture electrostatic powder paint
 - 70-90µm thickness
 - 500 hours of Salt Spray test resistance
 - Adhesion capability EN ISO 2409: Class 0 to 1
 - RAL 7035 or RAL 9005

19" SLIMbox Series

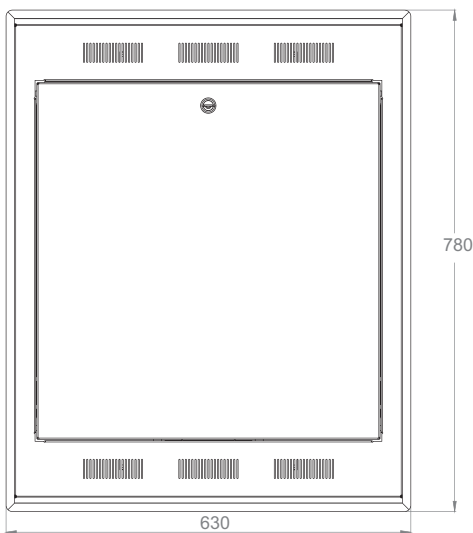
Flush Wall Mounting Tilt Out Racks W600 mm

Construction Drawings

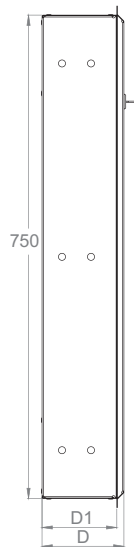
Flush Mounting 19" SLIMbox Tilt Out Cabinets allow vertical and secure mounting for small sound systems, networking, DVR, security, paging and patching applications.



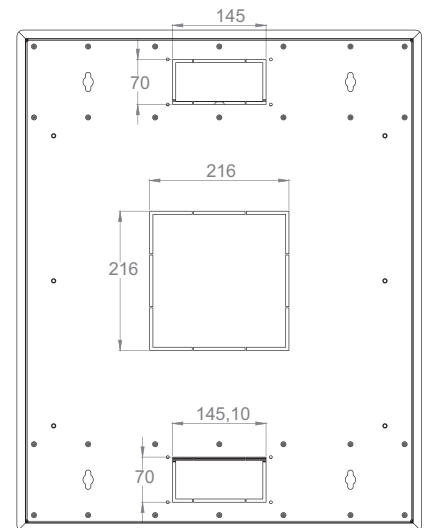
Bottom view



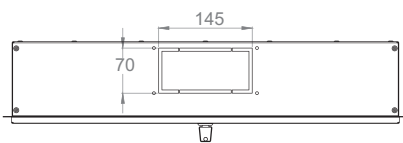
Front view



Side view



Rear view



Top view

SLIMBox Series - Flush Wall Mounting 19" Built in / Tilt Out Racks W600 mm

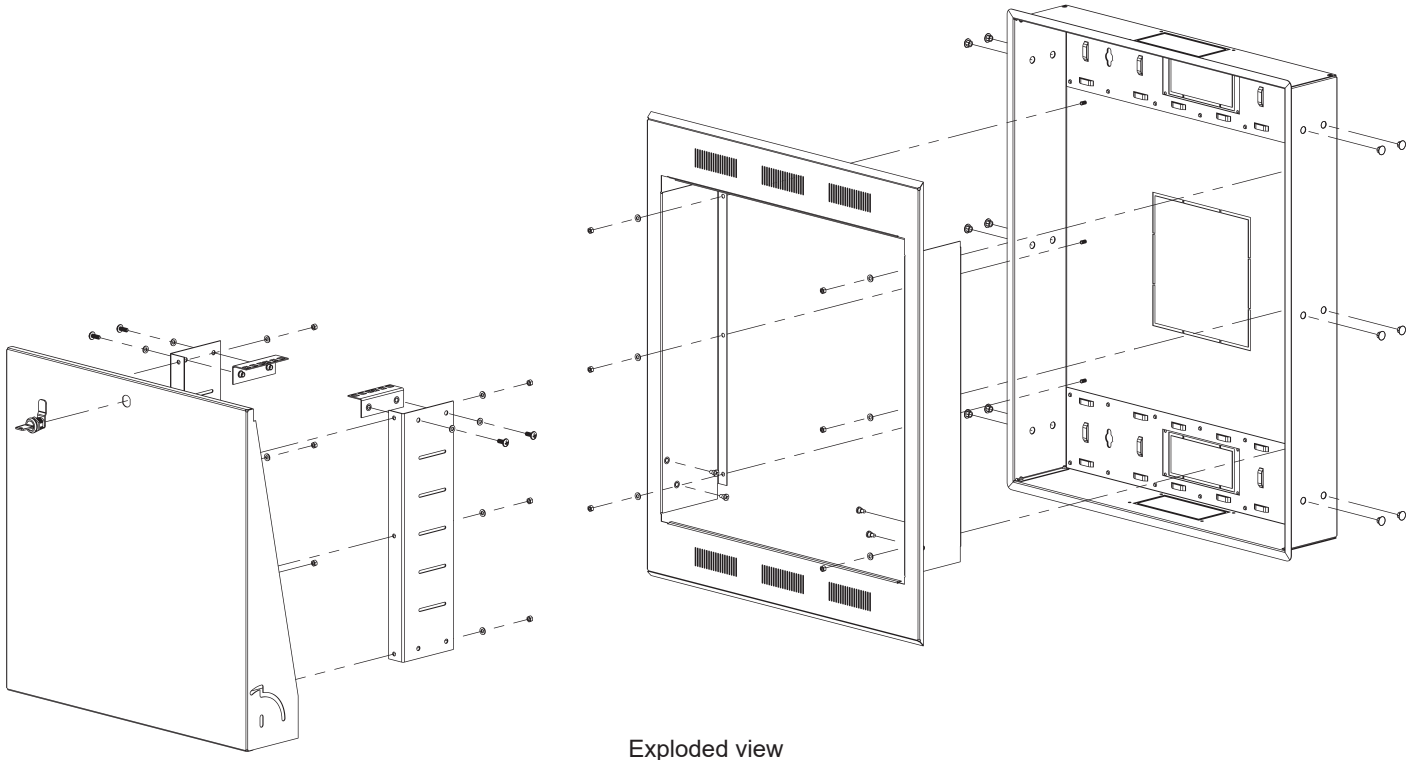
*Product Number	Series	Product Description	Width on Frame W(mm)	Width on Main Body W1(mm)	Depth on Frame D(mm)	Depth on Main Body D1(mm)	Height on Frame H(mm)	Height on Main Body H1(mm)	Cable Entry (pcs)	Lock (pcs)	Hinge (pcs)
LN-WMSLM2UFLSH-CC	SLIMbox	2U 19" Flush Wall Mounting Tilt Out Rack Cabinet (Built-in) W600 mm - D127 mm	628	600	127	116	778	750	4	1	2
LN-WMSLM4UFLSH-CC	SLIMbox	4U 19" Flush Wall Mounting Tilt Out Rack Cabinet (Built-in) W600 mm - D216 mm	628	600	216	205	778	750	4	1	2

*CC= Color Code please define while ordering the color code as LG Light Grey RAL 7035, BL Black RAL 9005.

19" SLIMbox Series

Flush Wall Mounting Tilt Out Racks W600mm

Construction Drawings

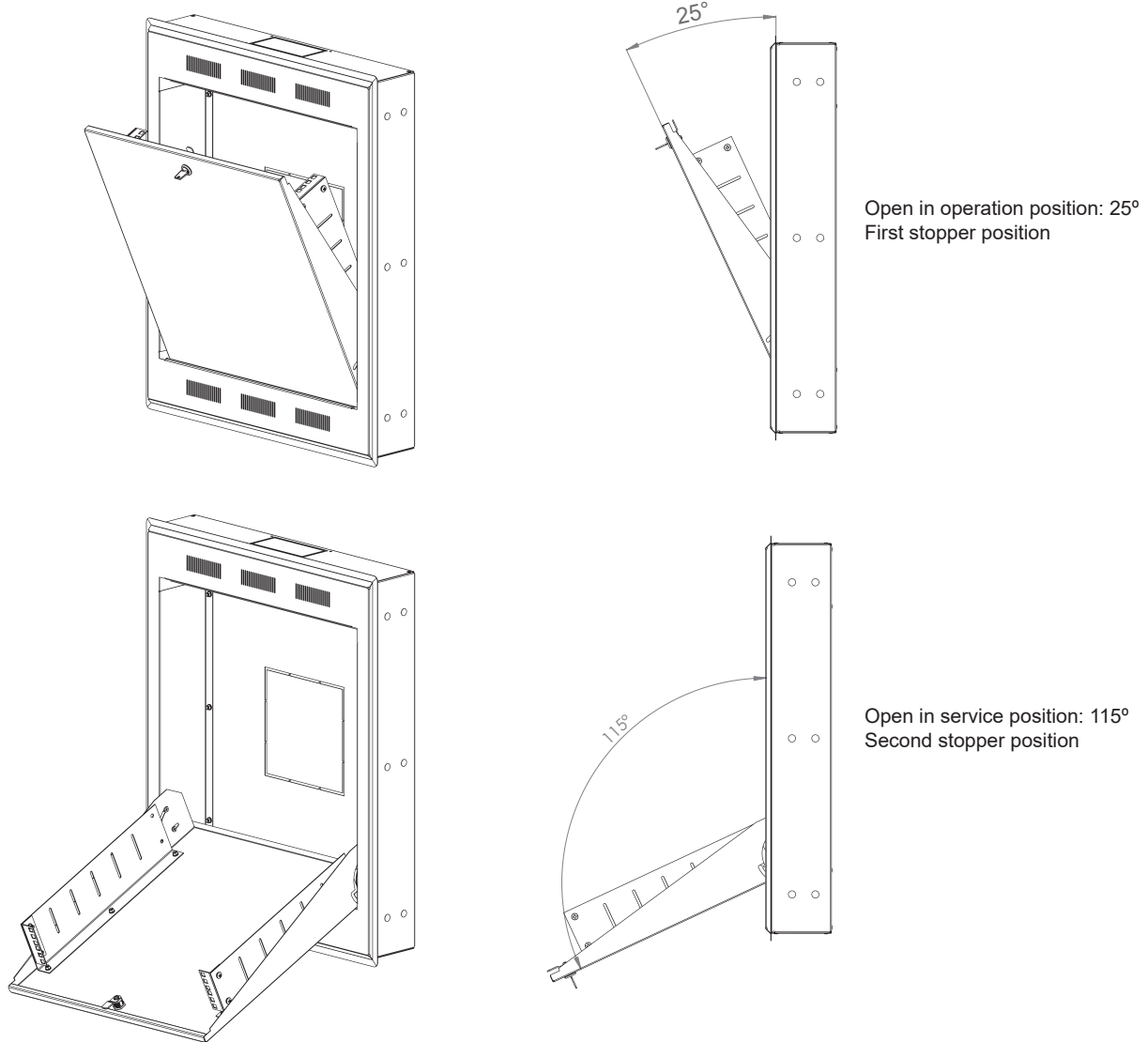


Shipping Configuration			
Part Definition	Material Quality	Material Thickness (mm)	Shipment Configuration
MAIN BODY (STRUCTURE)	DIN EN 10130-DC-01-6112 CRS	1	1
DOOR	DIN EN 10130-DC-01-6112 CRS	1	1
FRAME	DIN EN 10130-DC-01-6112 CRS	1	1
19" RACK RAIL BRACKET	DIN EN 10130-DC-01-6112 CRS	1,5	2
19" RACK RAIL	DIN EN 10130-DC-01-6112 CRS	1,5	2
CABLE MOUNTING BRACKET	DIN EN 10130-DC-01-6112 CRS	1	2

19" SLIMbox Series

Flush Wall Mounting Tilt Out Racks W600mm

Construction Drawings



Packaging:

The Flush Mounted / Tilt Out Rack cabinets are packed with a cardboard box and placed on a wooden pallet (800x1384 mm). Vertical corners are protected with 4 double bended cardboard sheets. Covered with stretch film and labelled.

SLIMBox Series - Flush Wall Mounting 19" Built in / Tilt Out Racks W600 mm - Packaging Details

*Product Number	Series	Product Description	Box Dimension (HxWxD)	Pallet Dimensions (HxWxD)	QTY in Pallet
LN-WMSLM2UFLSH-CC	SLIMbox	2U 19" Wall Flush Mounting Tilt Out Rack Cabinet (Built-in) W600 mm - D127 mm	788x638x137	1384x800x1280	20
LN-WMSLM4UFLSH-CC	SLIMbox	4U 19" Flush Wall Mounting Tilt Out Rack Cabinet (Built-in) W600 mm - D216 mm	788x638x226	1370x800x1280	12

*CC= Color Code please define while ordering the color code as LG Light Grey RAL 7035, BL Black RAL 9005.

19" SLIMbox Series

Surface Wall Mounting Tilt Out Racks W600 mm

Load Capacity: 100 kgs.

U Height: 2U, 4U

Standards and Compliances:



ISO 9001
Quality Management System

EN 61587-1
Mechanical Structures for
Electronic Equipment

EN IEC 60297, 19" Mounting
EN IEC 60917 Overall Cabinet
Dimensions

EN/IEC 60529 - IP20 Ingress Protection
performance

EN/IEC 62262 - IK07 Mechanical
Impact Resistance

EIA/ ECA-310 (D/E) 19" 482,6 mm
and U 44,45 mm Height Sizing



CE conform to
EN 60950-1
Information Technology
Equipment, Safety,
Part-1: General Requirement

EN IEC 62368-1 Audio/Video, Information
and Communication Technology
Equipment
Part 1: Safety requirements



UL listed to
UL 2416, Outline of Investigation for
Audio/Video, Information and
Communication Technology Equipment
Cabinet, Enclosure and Rack
Systems; UL 60950-1 and CSA C22.2
NO. 60950-1-07, Information Technology
Equipment Safety
Part 1: General Requirements



Environment Friendly;
ISO 14001 Environmental
Management System
RoHS compliancy
%100 Recyclable Material

Standard Colors:



RAL 7035 Light Grey



RAL 9005 Black



Features:

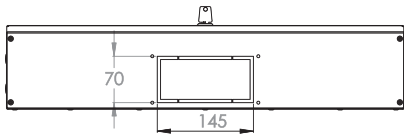
- Convenient design allows easy access to equipment controls.
- Tamper resistant design ideal for use in non-secure areas.
- Two models available: flush mount or surface mount.
- Offers 2U and 4U rack spaces versions.
- Up to 20" (508 mm) usable equipment depth.
- Pre-punched knockout in body of backpan for cable pass-through: 216x216 mm micro-joint, 1 pcs.
- Punched knockouts in the backpan with plastic cover for cable entry: top and bottom - 145x70 mm - 2 pcs.
- Punched knockouts in the top and bottom cases with plastic cover for cable entry: on on top and one at the bottom - 145x70 mm - 2 pcs.
- Vented front for cooling with passive thermal management.
- Abundant cable tie points included for cable management.
- Available in a durable texture electrostatic powder paint.
 - 70-90µm thickness
 - 500 hours of Salt Spray test resistance
 - Adhesion capability EN ISO 2409: Class 0 to 1
 - RAL 7035 or RAL 9005

19" SLIMbox Series

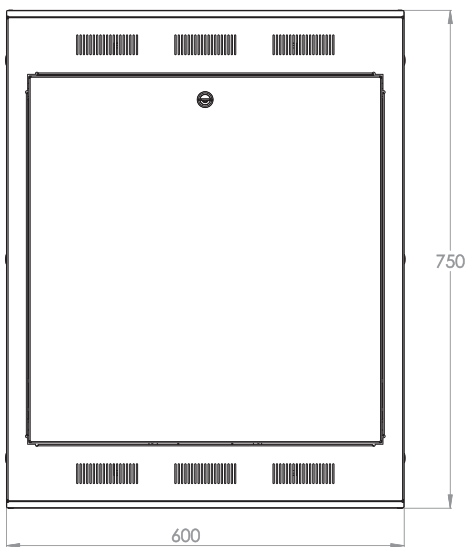
Surface Wall Mounting Tilt Out Racks W600 mm

Construction Drawings

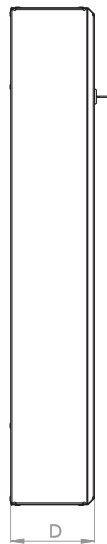
Surface Mounting 19" SLIMbox Tilt Out Cabinets allow vertical and secure mounting for small sound systems, networking, DVR, security, paging and patching applications.



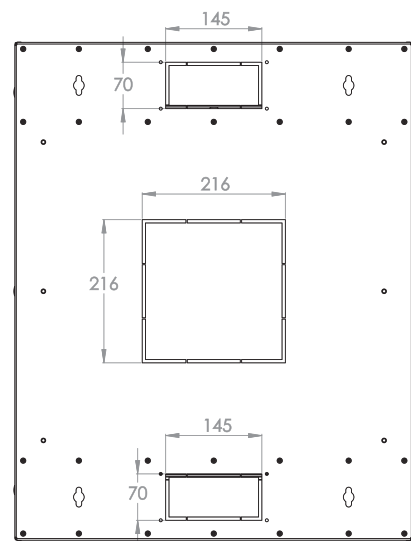
Bottom view



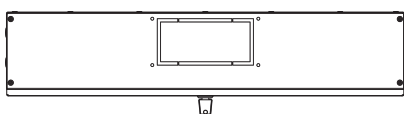
Front view



Side view



Rear view



Top view

SLIMBox Series - Surface Wall Mounting 19" Built in / Tilt Out Racks W600 mm

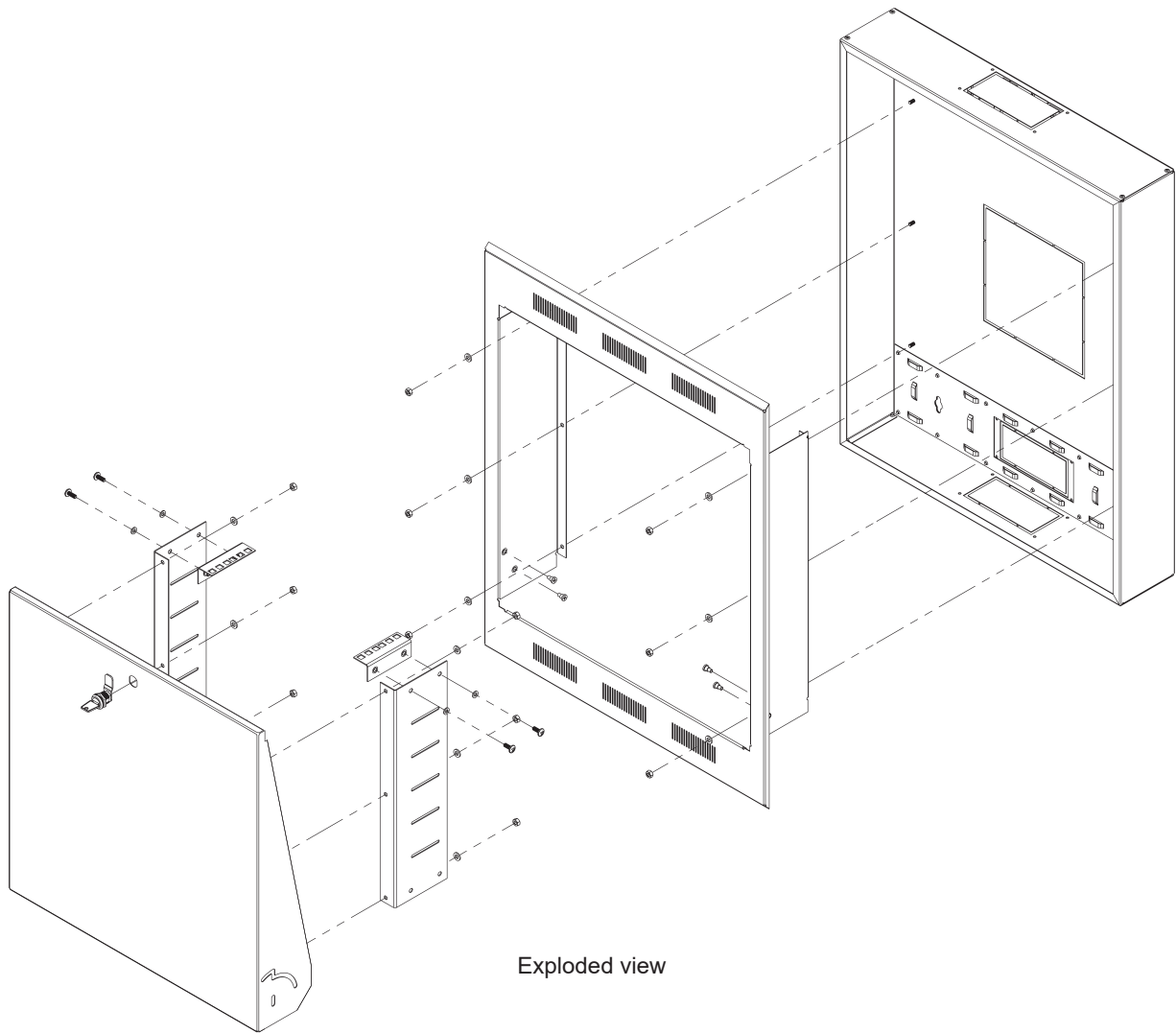
*Product Number	Series	Product Description	Width W(mm)	Depth D(mm)	Height H(mm)	Cable Entry (pcs)	Lock (pcs)	Hinge (pcs)
LN-WMSLM2U-CC	SLIMbox	2U 19" Surface Wall Mounting Tilt Out Rack Cabinet (Built-in) W600 mm - D127 mm	600	127	750	4	1	2
LN-WMSLM4U-CC	SLIMbox	4U 19" Surface Wall Mounting Tilt Out Rack Cabinet (Built-in) W600 mm - D216 mm	600	216	750	4	1	2

*CC= Color Code please define while ordering the color code as LG Light Grey RAL 7035, BL Black RAL 9005.

19" SLIMbox Series

Surface Wall Mounting Tilt Out Racks W600 mm

Construction Drawings



Exploded view

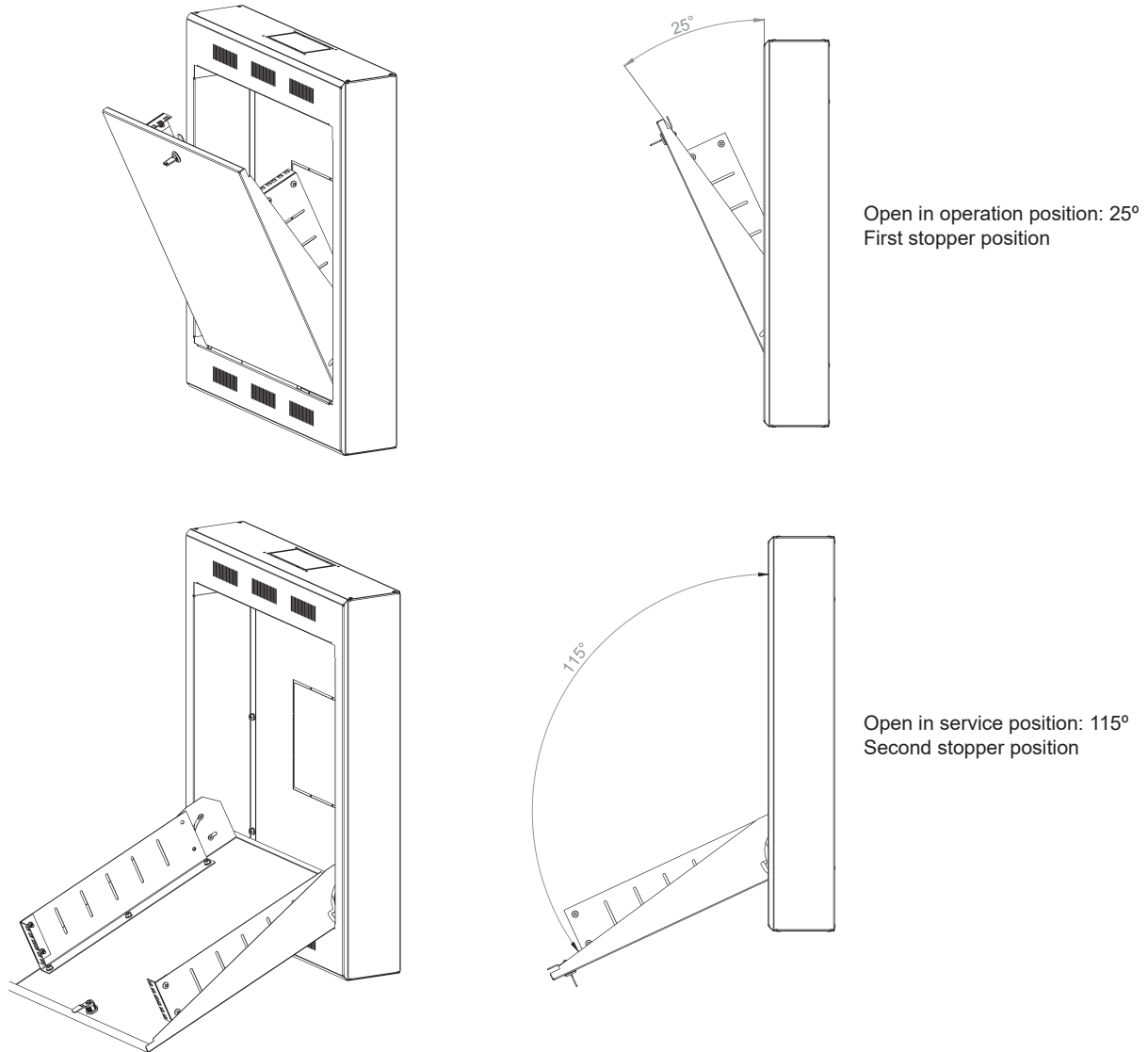
Shipping Configuration

Part Definition	Material Quality	Material Thickness (mm)	Shipment Configuration
MAIN BODY (STRUCTURE)	DIN EN 10130-DC-01-6112 CRS	1	1
DOOR	DIN EN 10130-DC-01-6112 CRS	1,2	1
19" RACK RAIL BRACKET	DIN EN 10130-DC-01-6112 CRS	1,5	2
19" RACK RAIL	DIN EN 10130-DC-01-6112 CRS	1,5	2
CABLE MOUNTING BRACKET	DIN EN 10130-DC-01-6112 CRS	1	2

19" SLIMbox Series

Surface Wall Mounting Tilt Out Racks W600 mm

Construction Drawings



Packaging:

The Surface Mounted / Tilt Out Rack cabinets are packed with a cardboard box and placed on a wooden pallet (800x1384 mm). Vertical corners are protected with 4 double bended cardboard sheets. Covered with stretch film and labelled.

SLIMBox Series - Surface Wall Mounting 19" Built in / Tilt Out Racks W600 mm - Packaging Details

*Product Number	Series	Product Description	Box Dimension (HxWxD)	Pallet Dimensions (HxWxD)	QTY in Pallet
LN-WMSLM2U-CC	SLIMbox	2U 19" Surface Wall Mounting Tilt Out Rack Cabinet (Built-in) W600 mm - D127 mm	760x610x137	1384x800x1280	20
LN-WMSLM4U-CC	SLIMbox	4U 19" Surface Wall Mounting Tilt Out Rack Cabinet (Built-in) W600 mm - D216 mm	760x610x226	1370x800x1280	12

*CC= Color Code please define while ordering the color code as LG Light Grey RAL 7035, BL Black RAL 9005.



CONTACT DETAILS

Headquarters

Address:

Merve Mah. Gazi Cad. No: 17 **Phone:** +90 216 312 26 53
Sancaktepe - İstanbul / TURKEY **Fax** : +90 216 312 09 09

Factory

Address:

20. Cadde No: 14 Eskişehir **Phone:** +90 222 236 24 66 pbx
Organize San. Bölge. 26250 **Fax** : +90 222 236 13 53
Eskişehir / TURKEY

www.lande.com.tr | sales@lande.com.tr

